

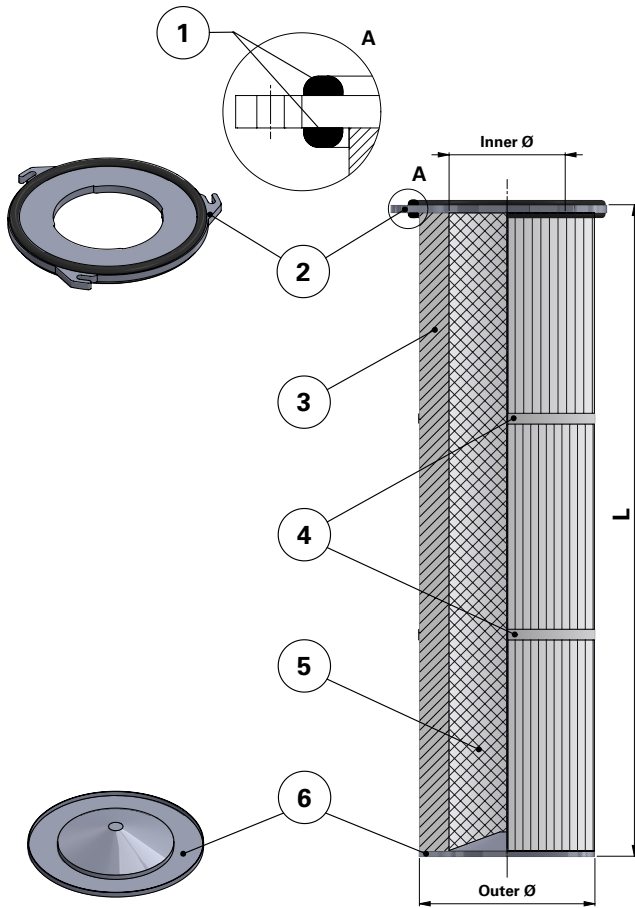
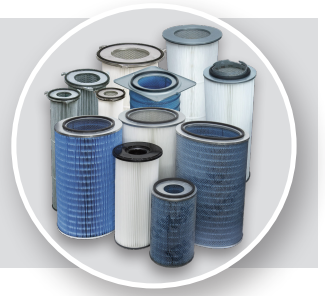


Donaldson  
FILTRATION SOLUTIONS

## DATA SHEET

### Replacement Elements

Cartridges – Series 145 Quick Fix 3 Hook



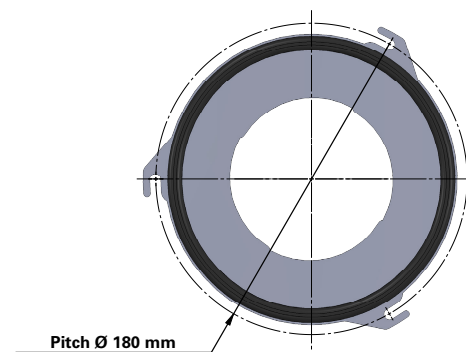
### Series 145 Quick Fix 3 Hook

Cartridge Filter with open top end cap with 3 hooks, 180 mm pitch diameter and closed bottom end cap

Special feature: Dirty Air Plenum and Clean Air Plenum installation for Series 145 and other brands of cartridge collectors

Without outer liner

#### Top end cap quick fix



Item	Description
1	Gasket above and below top end cap
2	Top end cap quick fix
3	Media pack
4	Straps
5	Inner liner
6	Bottom end cap closed

Dimensions [mm]	
Outer Ø	143
Inner Ø	80
L	600
	1000
1200	
Pitch Ø	180