

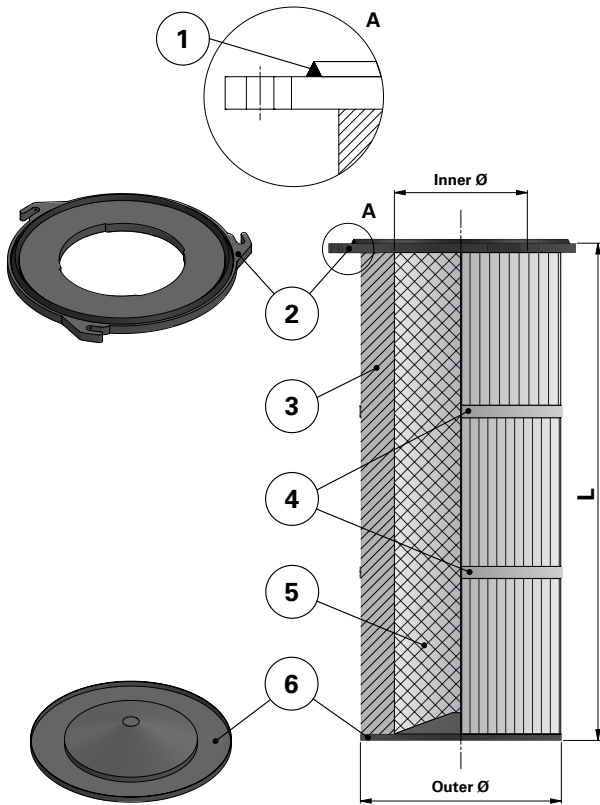
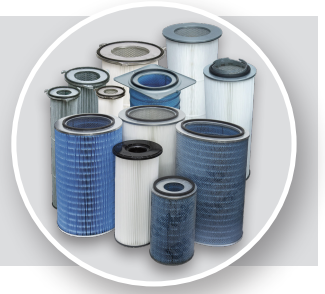


Donaldson  
FILTRATION SOLUTIONS

## DATA SHEET

### Replacement Elements

Cartridges – Series 325 Quick Fix 3 Hook Small



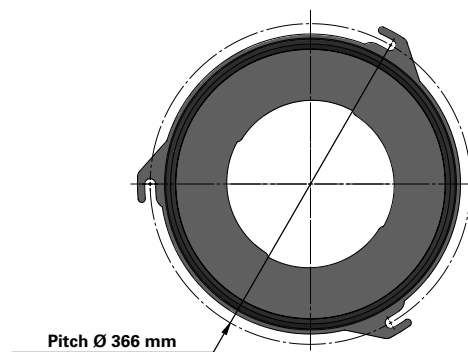
### Series 325 Quick Fix 3 Hook Small

Cartridge Filter with open top end cap with 3 hooks, 366 mm pitch diameter and closed bottom end cap

Special feature: Dirty Air Plenum installation for different brands of cartridge collectors

Without outer liner

### Top end cap quick fix



Item	Description
1	Gasket above top end cap
2	Top end cap quick fix
3	Media pack
4	Straps
5	Inner liner
6	Bottom end cap closed

### Dimensions [mm]

Outer Ø	325
Inner Ø	213
L	1000
	1018
	1218
Pitch Ø	1518
	366